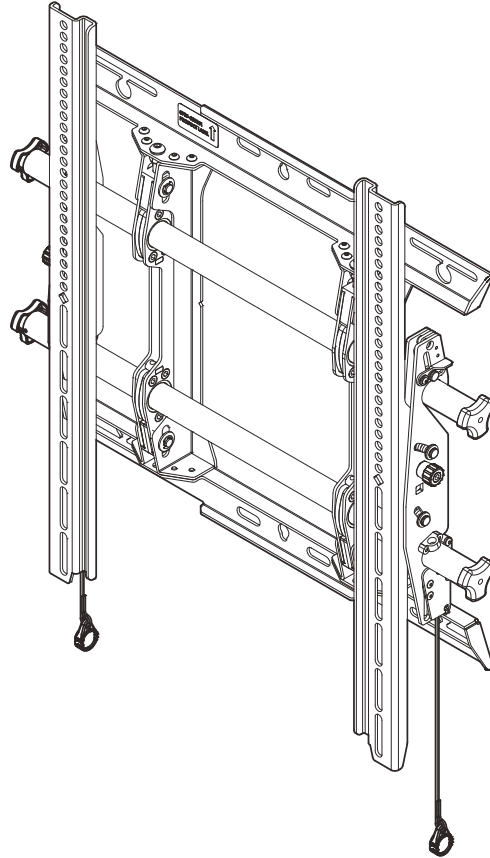

INSTALLATION INSTRUCTIONS



FUSION PORTRAIT MEDIUM TILT MOUNT

DISCLAIMER

Milestone AV Technologies, and its affiliated corporations and subsidiaries (collectively "Milestone"), intend to make this manual accurate and complete. However, Milestone makes no claim that the information contained herein covers all details, conditions or variations, nor does it provide for every possible contingency in connection with the installation or use of this product. The information contained in this document is subject to change without notice or obligation of any kind. Milestone makes no representation of warranty, expressed or implied, regarding the information contained herein. Milestone assumes no responsibility for accuracy, completeness or sufficiency of the information contained in this document.

Chief® is a registered trademark of Milestone AV Technologies. All rights reserved.

DEFINITIONS

WARNING: A WARNING alerts you to the possibility of serious injury or death if you do not follow the instructions.

CAUTION: A CAUTION alerts you to the possibility of damage or destruction of equipment if you do not follow the corresponding instructions.

MOUNTING SYSTEM: A MOUNTING SYSTEM is the primary Chief product to which an accessory and/or component is attached.

ACCESSORY: AN ACCESSORY is the secondary Chief product which is attached to a primary Chief product, and may have a component attached or setting on it.

COMPONENT: A COMPONENT is an audiovisual item designed to be attached or resting on an accessory or mounting system such as a video camera, CPU, screen, display, projector, etc.



IMPORTANT SAFETY INSTRUCTIONS!



WARNING: Failure to read, thoroughly understand, and follow all instructions can result in serious personal injury, damage to equipment, or voiding of factory warranty! It is the installer's responsibility to make sure all parts are properly assembled and installed using the instructions provided.



WARNING: Failure to provide adequate structural strength for this mounting system can result in serious personal injury or damage to equipment! It is the installer's responsibility to make sure the structure to which this mounting system is attached can support five times the combined weight of all equipment. Reinforce the structure as required before installing the mounting system. The wall to which the mounting system is being attached may have a maximum drywall thickness of 5/8" (1.6cm) for wood studs.



WARNING: Exceeding the weight capacity can result in serious personal injury or damage to equipment! It is the installer's responsibility to make sure the combined weight of all components attached to the MTMP1U does not exceed 125 lbs (56.7 kg) when mounted to a single 2" x 4" wood stud; **OR** 200 lbs (90.7 kg) when mounted to dual 2" x 4" wood studs or concrete.



WARNING: Use this mounting system only for its intended use as described in these instructions. Do not use attachments not recommended by the manufacturer.



WARNING: Never operate this mounting system if it is damaged. Return the mounting system to a service center for examination and repair.



WARNING: Do not use this mounting system outdoors.

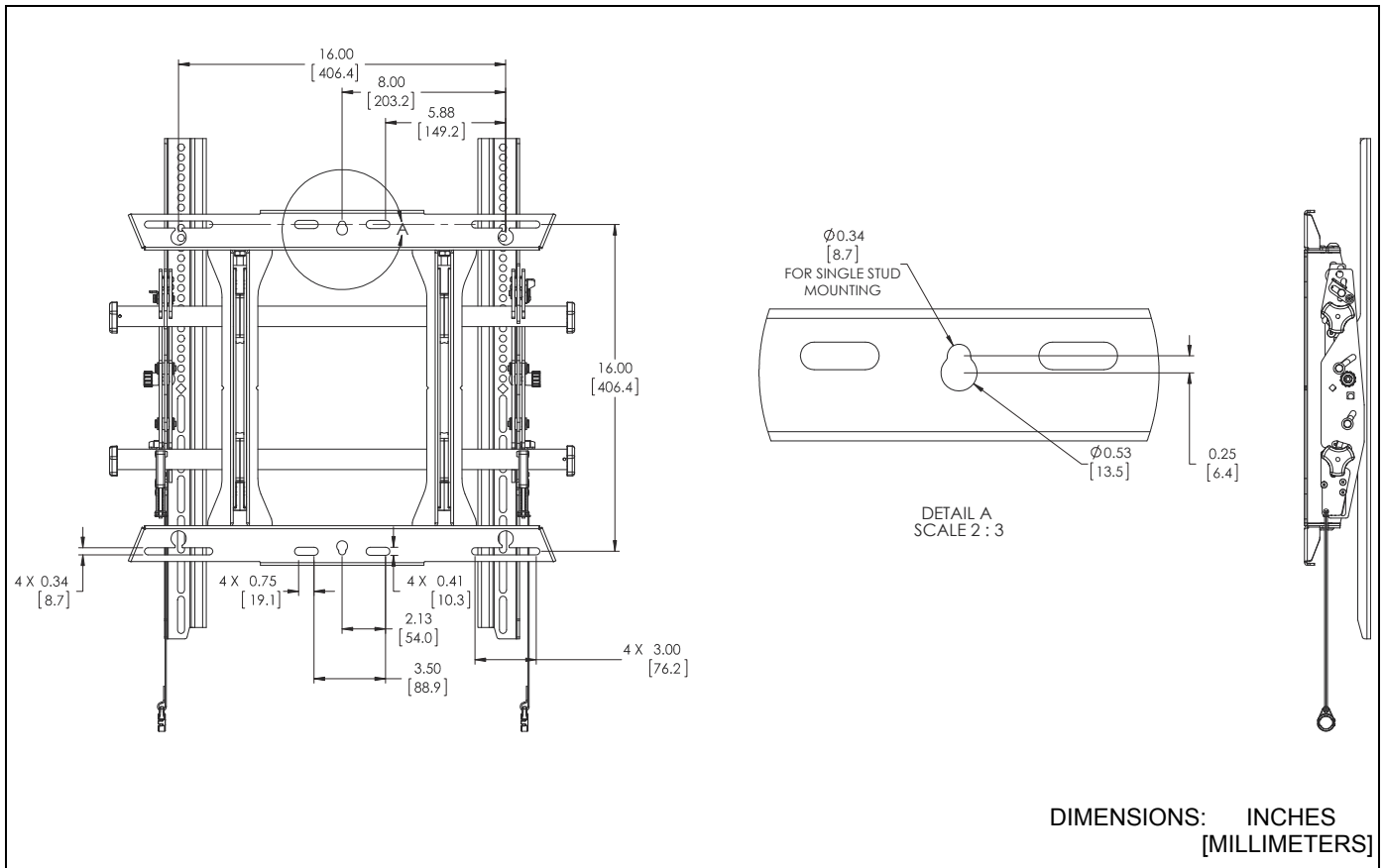
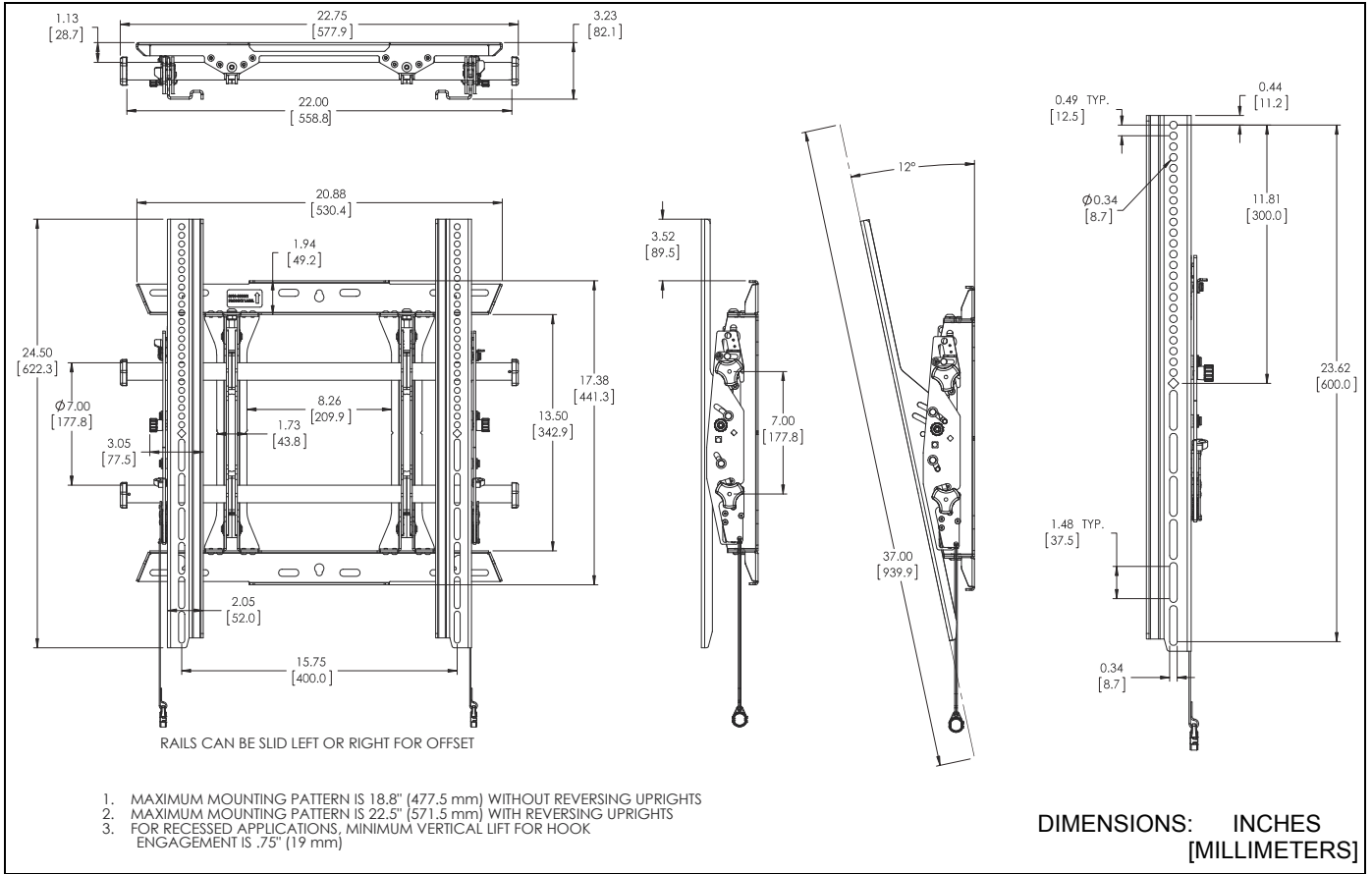
IMPORTANT ! : The MTMP1U mounts are designed to be mounted to:

- a bare 8" concrete or 8"x8"x16" concrete block wall, or
- a 2" x 4" wood stud (16" on-center) wall covered by drywall with maximum thickness of 5/8".







NOTE: The MTMP1U medium tilt mount may be used with the UL Listed FCAV1U Fusion pull-out accessory.

--SAVE THESE INSTRUCTIONS--

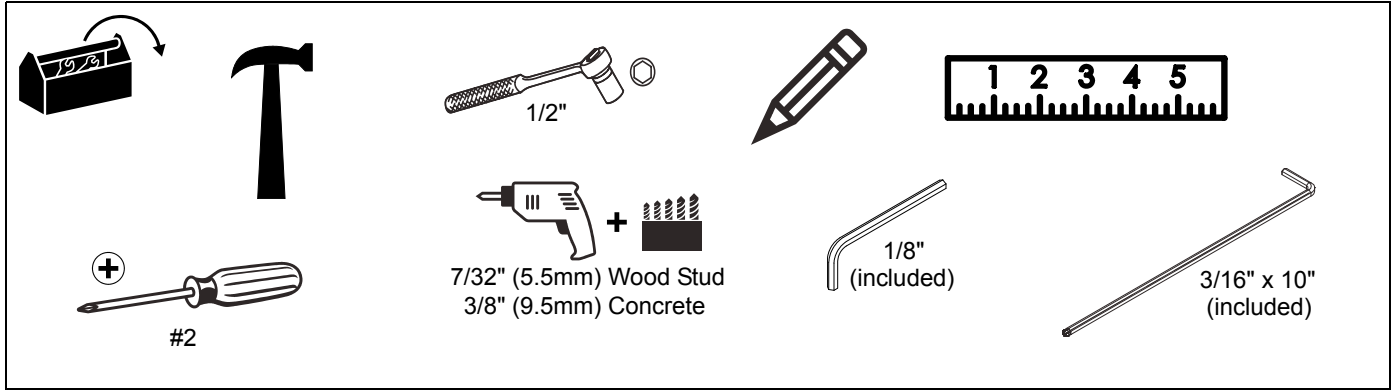
DIMENSIONS



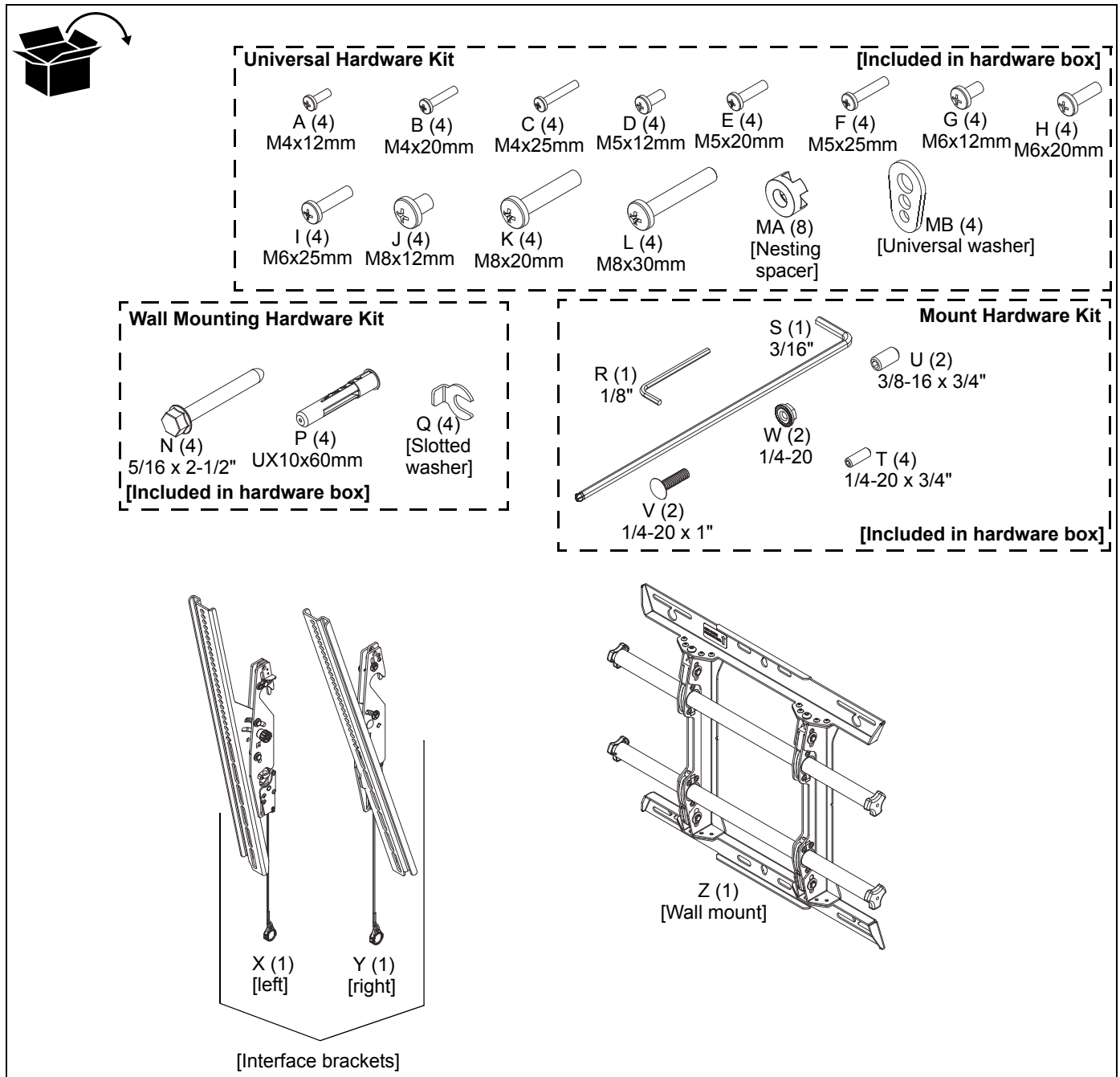
LEGEND

	Tighten Fastener Apretar elemento de fijación Befestigungsteil festziehen Apertar fixador Serrare il fissaggio Bevestiging vastdraaien Serrez les fixations		Pencil Mark Marcar con lápiz Stiftmarkierung Marcar com lápis Segno a matita Potloodmerkten Marquage au crayon
	Loosen Fastener Aflojar elemento de fijación Befestigungsteil lösen Desapertar fixador Allentare il fissaggio Bevestiging losdraaien Desserrez les fixations		Drill Hole Perforar Bohrloch Fazer furo Praticare un foro Gat boren Percez un trou
	Hex-Head Wrench Llave de cabeza hexagonal Sechskantschlüssel Chave de cabeça sextavada Chiave esagonale Zeskantsleutel Clé à tête hexagonale		By Hand A mano Von Hand Com a mão A mano Met de hand À la main

TOOLS REQUIRED FOR INSTALLATION



PARTS



INSTALLATION

The MTMP1U mounts are designed to be mounted to a bare 8" concrete or 8"x8"x16" concrete block wall; or 2" x 4" wood studs (16" on center) wall covered by drywall of 5/8" maximum thickness. The MTMP1U has brackets which allow the TV to be tilted.

Locate Mounting Site



WARNING: IMPROPER INSTALLATION CAN LEAD TO MOUNT FALLING CAUSING SEVERE PERSONAL INJURY OR DAMAGE TO EQUIPMENT! It is the installers responsibility to make certain the structure to which the mounting system is being attached is capable of supporting five times the combined weight of all components located on the mount, not to exceed 125 lbs (56.7 kg) for mounting to a single 2" x 4" wood stud; OR 200 lbs (90.7 kg) for mounting to dual 2" x 4" wood studs or concrete.

NOTE: Proceed to either the **Installing to a Wood Stud Wall** section or the **Installing to a Concrete Wall** section.

Installing to a Wood Stud Wall

1. Determine the center of the TV screen, and where it should be located on the wall.



WARNING: The MTMP1U is designed to be mounted to either one or two 2" x 4" wood studs (16" on center).

2. Locate the closest studs to the left and right of the selected location.
3. Line up the notches on mount (Z) with center of screen marking to determine vertical center. (See Figure 1)

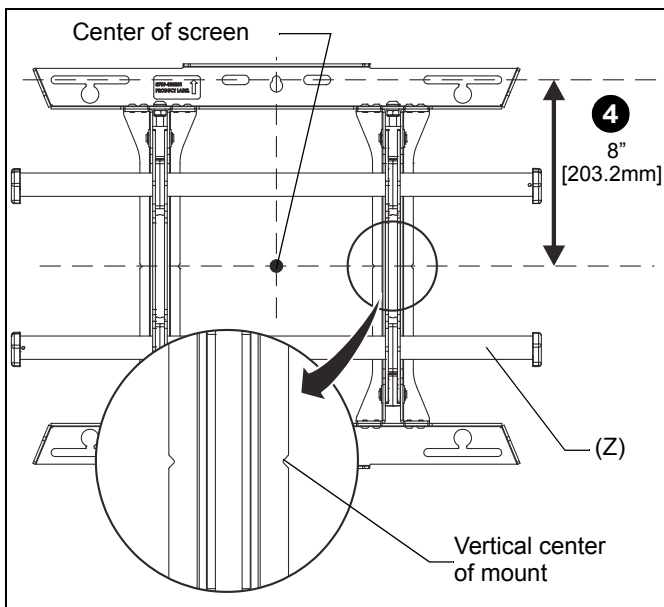
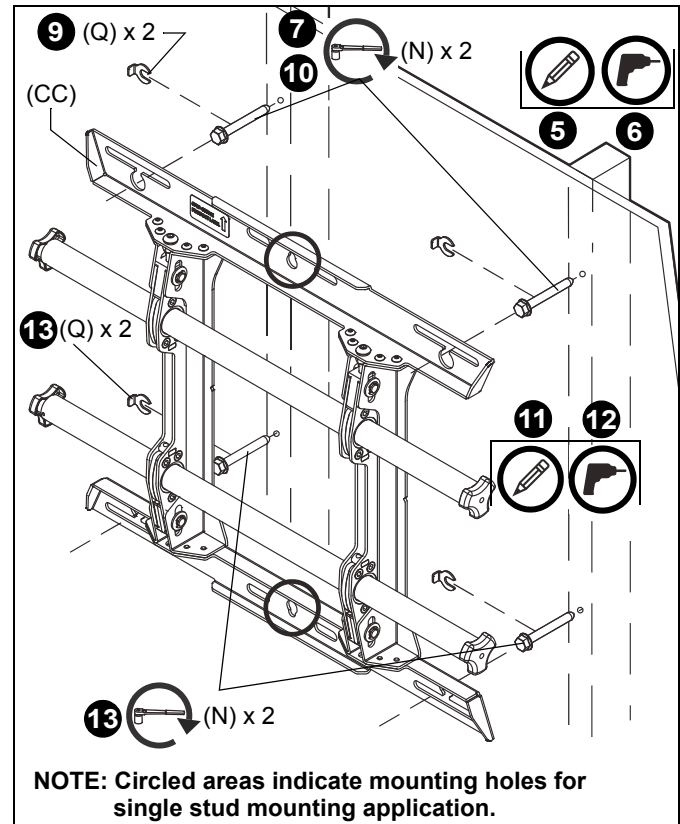


Figure 1

4. Measure up 8" (203.2mm) from the center point to mark location of the upper mounting slots. (See Figure 1)

5. Using a level, mark the wall on each stud to attach the mount through the upper mounting slots. (See Figure 2)
6. Drill one 7/32" (5.5mm) pilot hole in each stud.
7. Partially install two 5/16 x 2-1/2" flanged lag bolts (N) into pilot holes but do not tighten to wall.
8. Hang mount (Z), aligning upper mounting slots over lag bolts and adjust side-to-side for proper location.
9. Place one slotted washer (Q) over each flanged lag bolt. (See Figure 2)
10. Tighten lag bolts to secure mount (Z) to wall at upper mounting slots.



NOTE: Circled areas indicate mounting holes for single stud mounting application.

Figure 2

11. Mark the attachment points for the lower mounting slots, making sure the attachment points are located on the studs. (See Figure 10)
12. Drill 7/32" (5.5mm) pilot holes at markings for lower mounting holes. (See Figure 10)
13. Use two 5/16 x 2-1/2" flanged lag bolts (N) and two 5/16" slotted washers (Q) to attach the mount to the wall through the lower mounting holes. (See Figure 10)
14. Slide rails to approximate center of screen location.
15. Proceed to **Locking Rails** section.

Installing to a Concrete Wall

1. Determine the center of the TV screen, and where it should be located on the wall.
2. Line up the notches on mount (Z) with center of screen marking to determine vertical center. (See Figure 1)
3. Measure up 8" (203.2mm) from the center point to mark location of the upper mounting slots. (See Figure 1)
4. Using a level, mark the wall through both upper mounting slots. (See Figure 3)

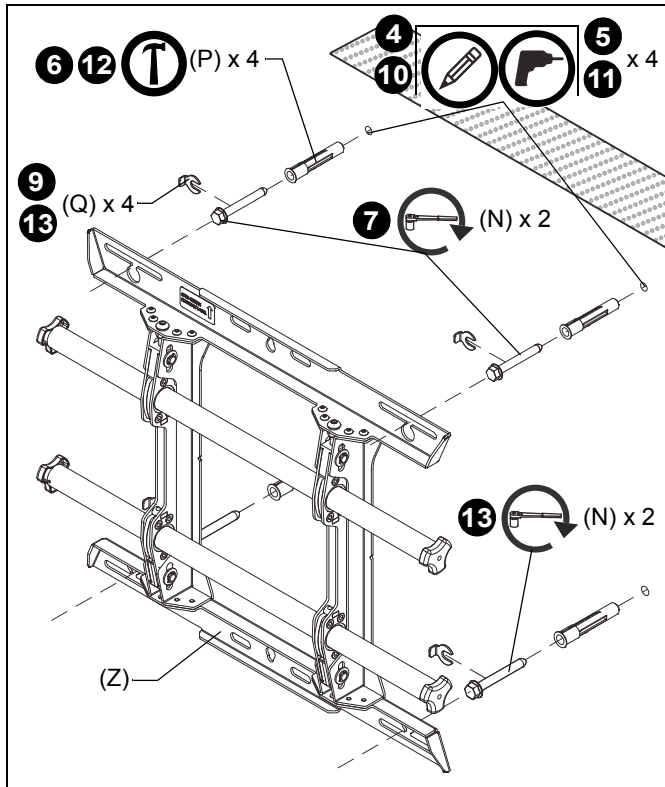


Figure 3

5. Drill one 3/8" x 3-1/2" (9.5mm x 88.9mm) pilot hole at each marking.
6. Install an anchor (P) into each pilot hole using a hammer, making sure that the anchor is flush with the wall.
7. Partially install two 5/16 x 2-1/2" flanged lag bolts (N) into pilot holes but do not tighten to wall.
8. Hang mount (Z), aligning upper mounting slots over lag bolts and adjust side-to-side for proper location.
9. Place one slotted washer (Q) over each flanged lag bolt. (See Figure 3)
10. Mark the attachment points for the lower mounting slots. (See Figure 3)
11. Drill 3/8" x 3-1/2" (9.5mm x 88.9mm) pilot holes at markings for lower mounting holes. (See Figure 3)
12. Install an anchor (P) into each pilot hole using a hammer, making sure that the anchor is flush with the wall.
13. Use two 5/16 x 2-1/2" flanged lag bolts (N) and two 5/16" slotted washers (Q) to attach the mount to the wall through the lower mounting holes. (See Figure 3)

14. Tighten all lag bolts to secure mount (Z) to wall.
15. Slide rails to approximate center of screen location.

Locking Rails (Optional)

1. Lock rails into place using four 1/4-20 x 3/4" set screws (T) on mount (Z) and the 1/8" hex key (R). (See Figure 4)

NOTE: To easily install upper set screw against upper rail, place set screw (T) onto hex key (R), and feed up into hole while turning to tighten.

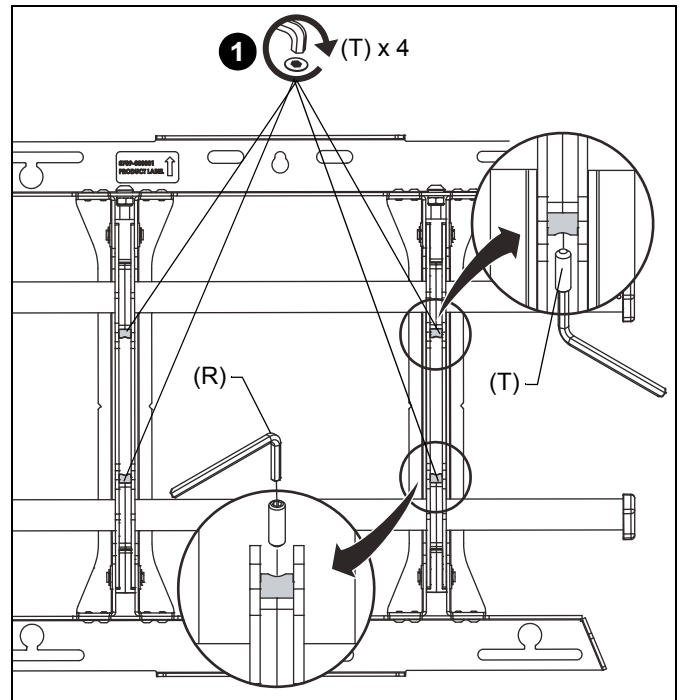


Figure 4

Attaching Upright Brackets to Display

1. Align the center of the bracket (X and Y) with center of screen. (See Figure 5)

NOTE: The diamond-shape holes in the bracket correspond to the center of the mount.

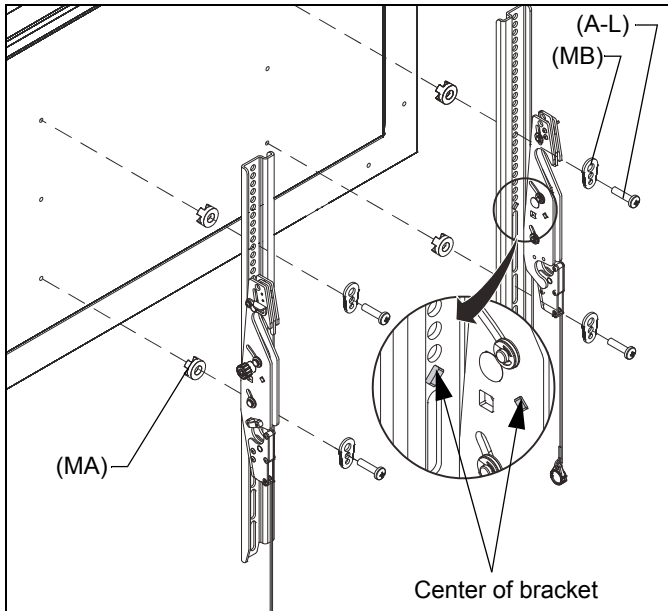


Figure 5

WARNING: IMPROPER INSTALLATION CAN LEAD TO DISPLAY FALLING CAUSING SERIOUS PERSONAL INJURY OR DAMAGE TO EQUIPMENT! Using screws of improper size may damage your display. Properly sized screws will easily and completely thread into display mounting holes. If spacers are required, be sure to use longer screws of the same diameter.

2. Select correct screws, nesting spacers (if necessary) and universal washers from the hardware bag (A-M) and attach brackets to back of screen. (See Figure 5)

IMPORTANT ! : (Dual Stud Installation Only) If M4 fasteners are used to attach brackets to back of screen, the weight of the screen may NOT exceed 150 lbs (68.0 kg).

NOTE: The nesting spacers (MA) may be used separately, or put two together in different configurations to create different size spacers. (See Figure 6)

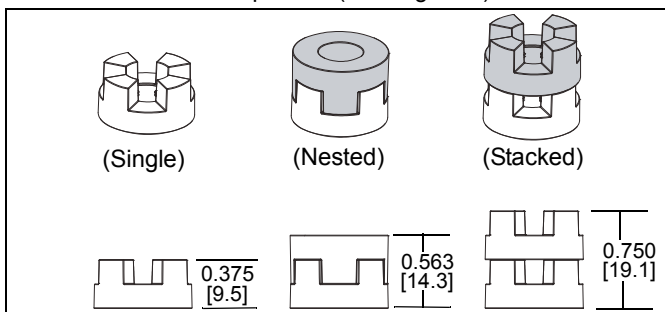


Figure 6

Switching Upright Brackets (Optional)

If an installation situation makes adjusting the location of mount necessary, there are several options.

1. The wall bracket may be adjusted side to side at the points of attachment (mounting slots). (See Figure 7)
2. The location of the left and right interface brackets may be switched, with the knobs on the MTMP1U interface brackets facing the inside of the mount. (See Figure 7)

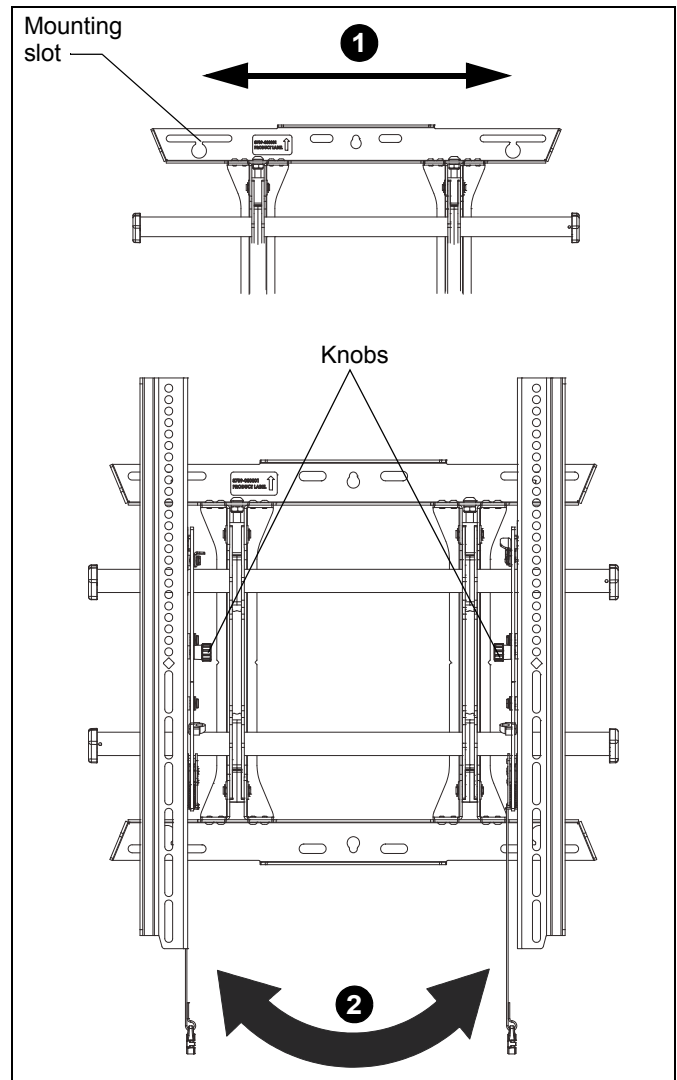


Figure 7

3. If necessary, the interface bracket knobs may be switched to allow the brackets to be reversed. (See Figure 8)
 - a. Remove display from mount.
 - b. Remove brackets from display.
 - c. Hold the right interface bracket horizontally, tightly gripping it so that spacers do not move.
 - d. Remove the knob, washer and screw.
 - e. Replace the knob, washer and screw in the opposite order, with the knob on the inside of the bracket.
 - f. Switch the right interface bracket to the left side of the wall mount.
 - g. Repeat Steps 3c through 3f with the left upright bracket.

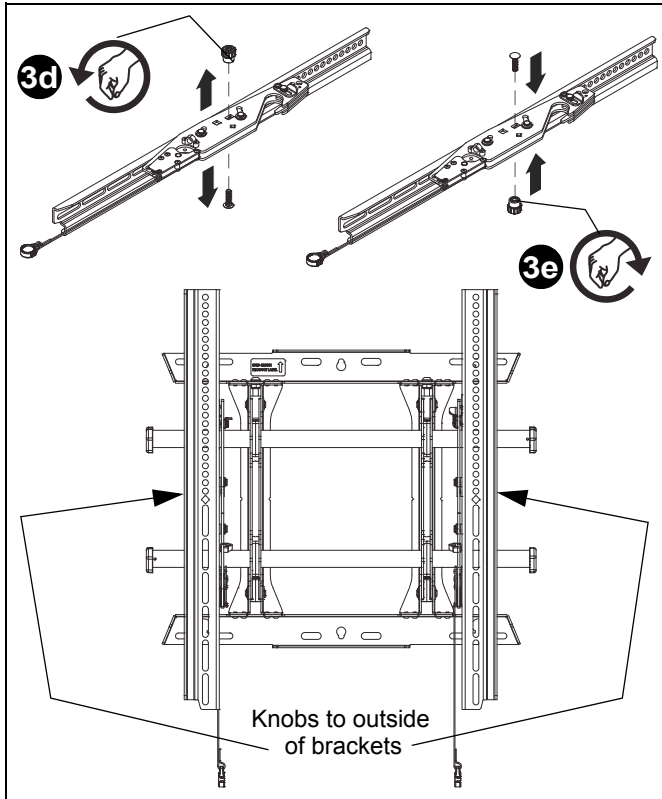


Figure 8

Attaching Display to Wall Mount

NOTE: NEVER place both interface brackets (X and Y) to one side of the wall mount center line! (See Figure 9)

NOTE: Do NOT allow both interface brackets (X and Y) to be located on same side of wall mount. (See Figure 9)

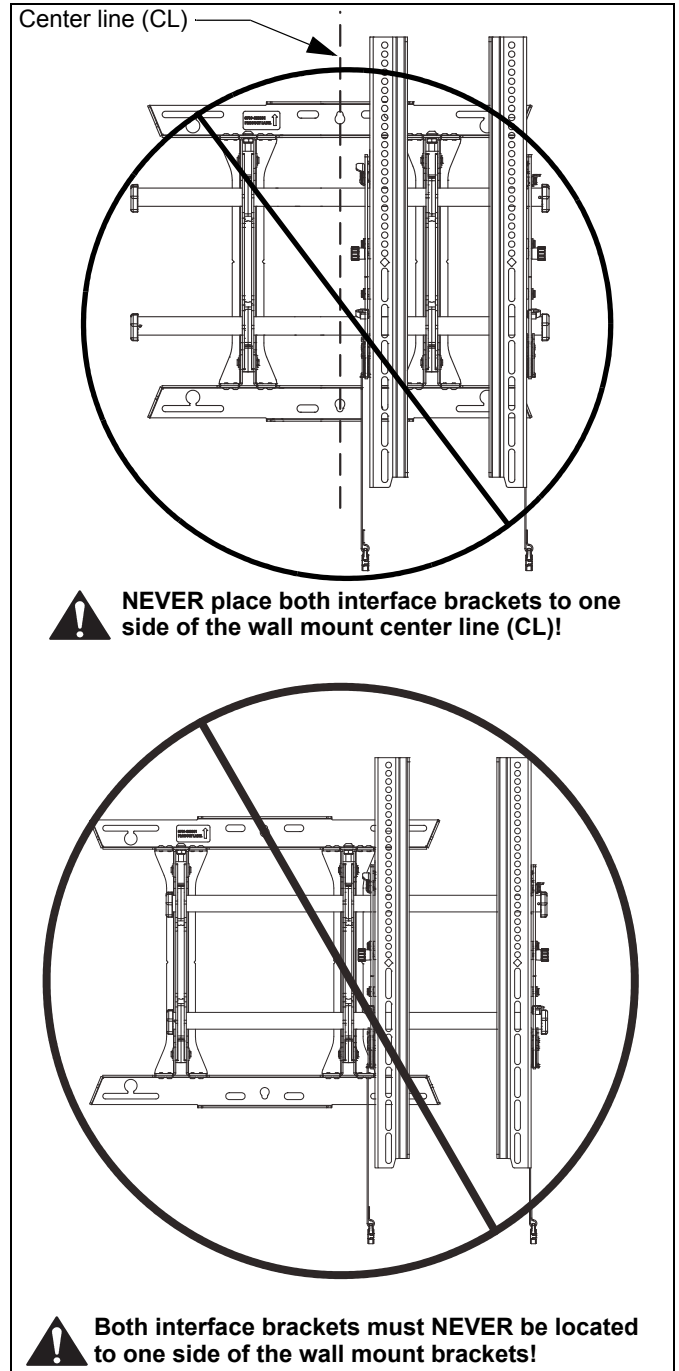


Figure 9

1. Hang screen onto the top rail of the mount (Z). (See Figure 10)
 - Move latch on top of interface bracket to **OPEN** position and hang top hook of interface brackets (X and Y) onto the top rail of the mount (Z). (See Figure 10)

NOTE: The screen initially installs into the "service mode" to allow easy cable access.

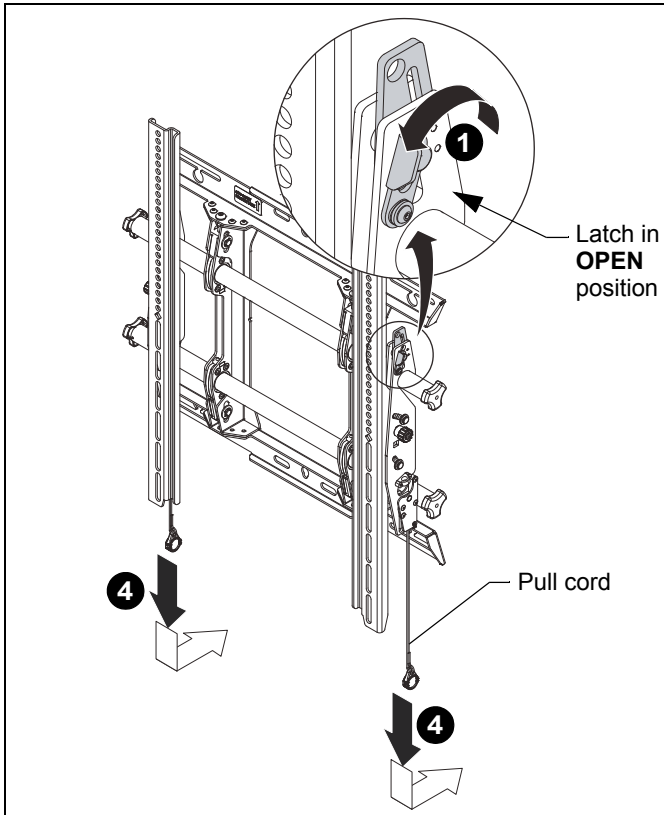


Figure 10

2. Adjust screen and rails to desired viewing position.
3. Route cables between wall and rails.



CAUTION: PINCH POINTS! Keep fingers, hands and cables out of pinch point areas.

4. Pull downward on the pull cords and swing inward toward wall, latching interface brackets to lower rail and fastening bottom of screen to the mount. (See Figure 10)
5. Attach end of pull cord (a magnet) to mount so it does not extend beyond bottom of screen. (See Figure 10)

Adjustments

Horizontal Adjustment

1. The wall mount may be adjusted side to side at the point(s) of attachment. (See Figure 11)

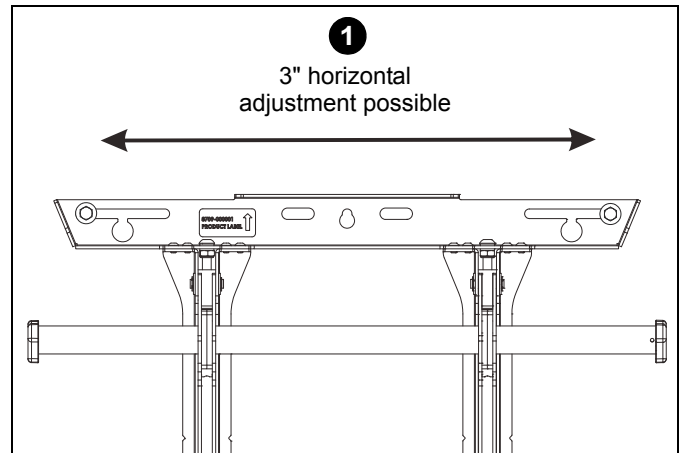


Figure 11

2. The screen may be adjusted along rails side to side.

NOTE: NEVER place both interface brackets (X and Y) to one side of the wall mount center line! (See Figure 9)

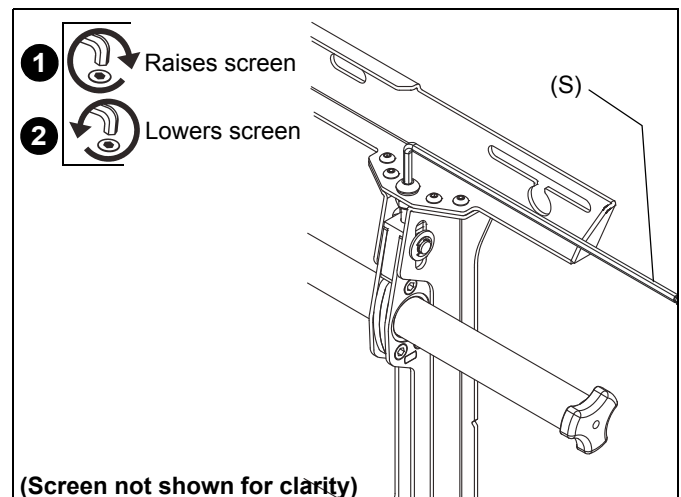
NOTE: Do NOT allow both interface brackets (X and Y) to be located on same side of wall mount. (See Figure 9)

3. Move latch on top of interface brackets to **CLOSED** position. (See Figure 13)

Roll/Height Adjustment of Wall Mount

NOTE: The height adjust of the wall mount allows adjustment of $\pm 1/2"$.

1. Turn to right (tighten) to raise side of screen. (See Figure 12)
2. Turn to left (loosen) to lower side of the screen.



(Screen not shown for clarity)

Figure 12

Tilt

The interface brackets (X and Y) allow from -5° to 12° tilt, and can be locked at 0°, 6° and 12°.

1. Loosen the interface bracket knob.
2. Adjust tilt as required. (See Figure 13)
3. The tilt may be locked at 0°, 6° or 12° using one 1/4-20 x 1" round head carriage bolt (V) and one 1/4-20 hex nut (W) per interface bracket. (See Figure 13)
4. Tighten interface bracket knob.

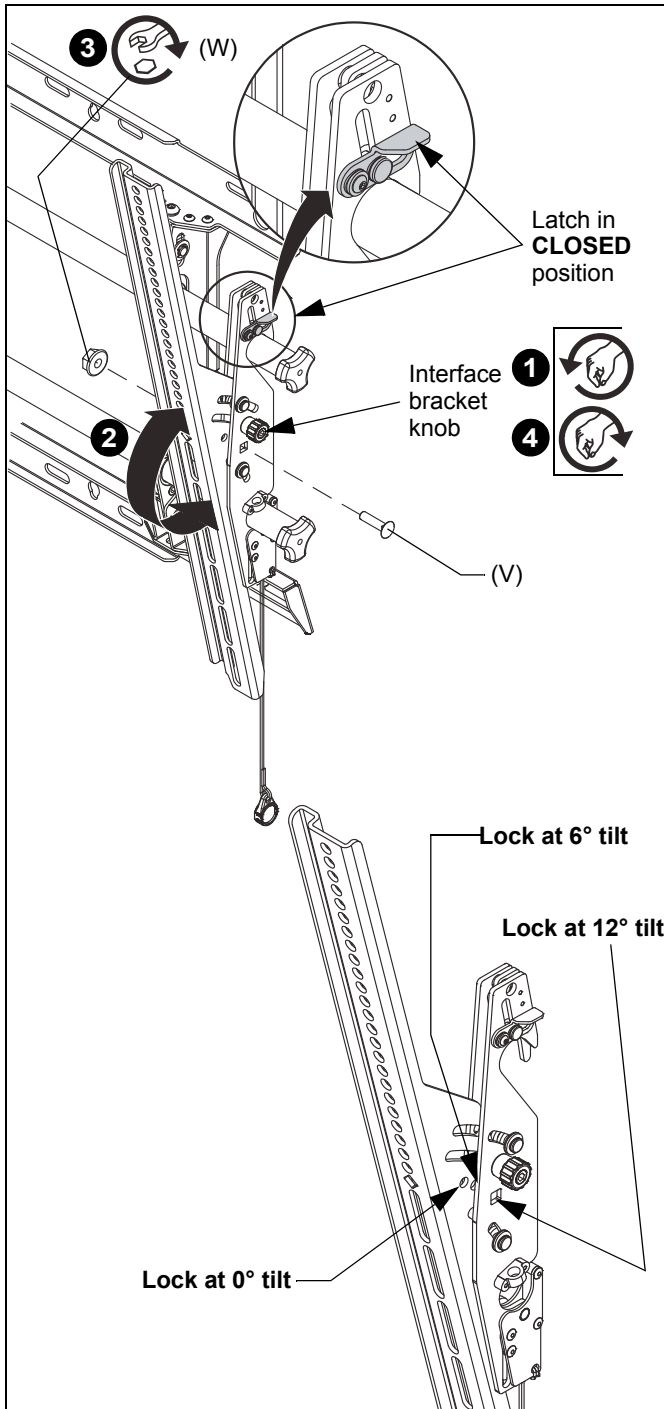


Figure 13

Locking Interface Brackets (Optional)

1. Lock interface brackets onto mount rails using one 3/8-16 x 3/4" set screw (U) on each interface bracket. (See Figure 14)

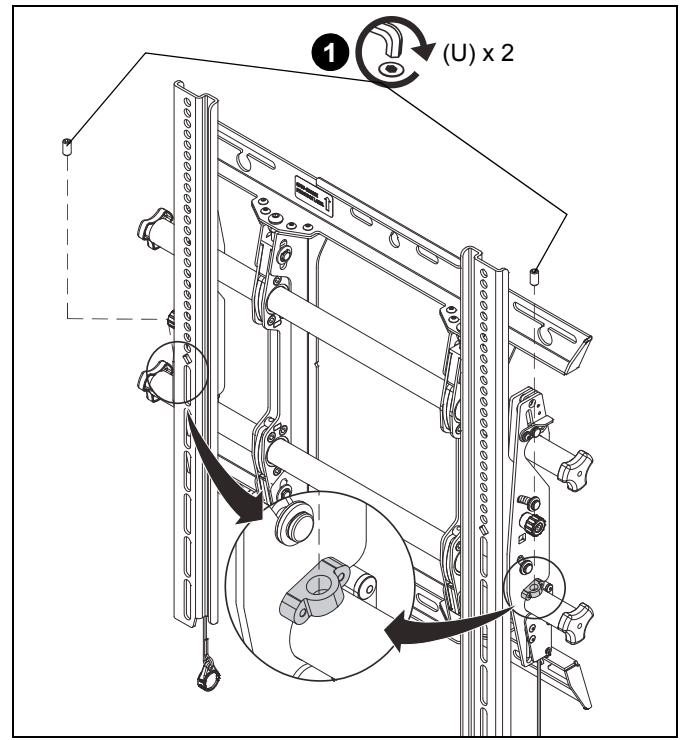


Figure 14

Locking Mount (Optional)

1. Add padlock (not included) to interface bracket to complete security. (See Figure 19)

NOTE: The padlock maximum shackle diameter is 5/16" (7.9 mm).

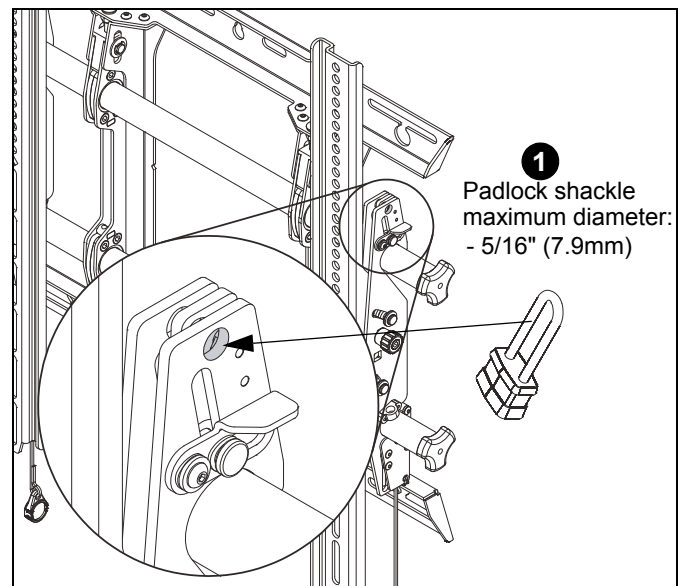


Figure 15



Our Mounts. **Your Vision.**

Chief, a products division of
Milestone AV Technologies

8800-002655 Rev04
©2016 Milestone AV Technologies
www.chiefmfg.com
01/16

USA/International **A** 6436 City West Parkway, Eden Prairie, MN 55344
 P 800.582.6480 / 952.225.6000
 F 877.894.6918 / 952.894.6918

Europe **A** Franklinstraat 14, 6003 DK Weert, Netherlands
 P +31 (0) 495 580 852
 F +31 (0) 495 580 845

Asia Pacific **A** Office No. 918 on 9/F, Shatin Galleria
 18-24 Shan Mei Street
 Fotan, Shatin, Hong Kong
 P 852 2145 4099
 F 852 2145 4477

